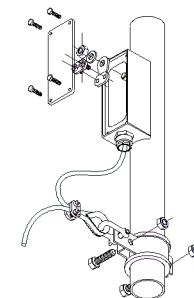


AT101D - End Fed shown
Side feed versions available



Side feed

Application:

The AT101 Series antenna is a high quality glass fibre transmitting antenna for marine coastal and HF telephony bands. It matches well all modern SSB marine telephony transmitters. Four top whips give it improved electrical characteristics.

End fed or side feed options are available.

Electrical specifications:

Frequency range	1.6-30 MHz
Power rating	1.5 kW PEP
Capacitance at CF	145 pF
Pattern	Omnidirectional
Polarization	Vertical
Electrical length	14.5 m (48 ft)

Mechanical specifications:

Design	Self supporting fiberglass rod with stainless steel armature
Height	10 m (33 ft)
Weight	End Feed: 27 kg Side Feed: 26 kg
Sections	Base section - end fed: ATB51D - 19.5 kg Base section - side feed: ATB51DS - 18.5 kg Base section - side feed: ATB51DS/H - 18.5 kg Top section: APB50 - 3.5 kg Top Whips: 4 x APB3 - 4.0 kg
Wind rating	55 m/s = 125 mph
Moment of flexure	400 kpm at 55 m/s
Deflection due to wind load	5.5 m (18 ft) at tip ball at 55 m/s wind load
Finish	Polyurethane lacquer, white, other colours available on request
Temperature range	-55 °C, +55 °C; -67 °F, +131 °F
Water proofing	IP67

Mounting:

The AT101 Series is suited to mounting on top of the radio cabin. End fed and side feed options are available. See page 2 for details.

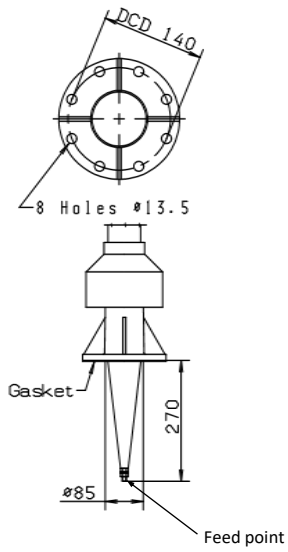
If the end fed insulator is not long enough, extensions are available.

The mounting flange holes are suitable for M12 bolts.

Antenna Variants:

AT101D

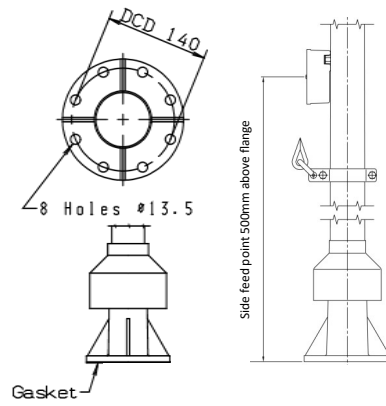
Deck mounted, end feed



End fed RF cable installation

AT101DS

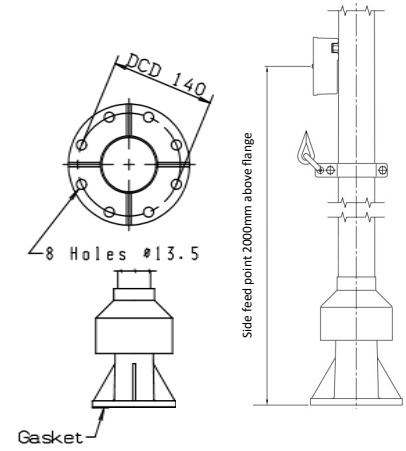
Deck mounted, side feed



Side feed RF cable positioned 500mm above the mounting flange

AT101DS/H

Deck mounted, side feed (high)



The AT101DS/H uses the same side feed point as the AT101DS but it is positioned 2 metres above the base flange