

### Application

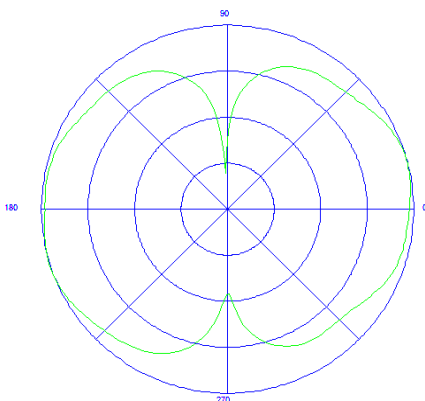
AV58M is a high quality dipole antenna designed for wireless LAN. It is a high quality antenna with a durable construction and a beautiful finish for indoor and outdoor installation in harsh environment.

### Electrical specifications

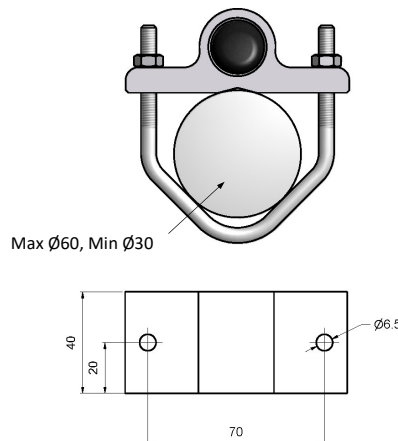
Frequency range	2400-2480 MHz
VSWR	<1.5
Nominal impedance	50 ohm
Power rating	5 W
Gain	2 dBi
Pattern	Horizontal plane: Omnidirectional Vertical plane: See radiation pattern
Polarization	Vertical
Connector	N female

### Mechanical specifications

Design	Centre-fed coaxial dipole. Radiating elements completely enclosed in polyurethane foam within a fiberglass tube. Mounting bracket in aluminium.
Height	0.15 m
Weight	0.3 kg
Wind rating	55 m/s = 125 mph
Finish	Polyurethane lacquer, white
Temperature range	-55 °C, +71 °C; -67 °F, +160 °F



Vertical radiation pattern



### Mounting:

AV58M is easily mounted to the bulkhead by means of 4 holes in the aluminium bracket, or to a mast or tube with U-bolts. The tube may be horizontal or vertical. The U-bolts in stainless steel, are included.

Suitable cable: RG58, RG213 or similar.