

Features:

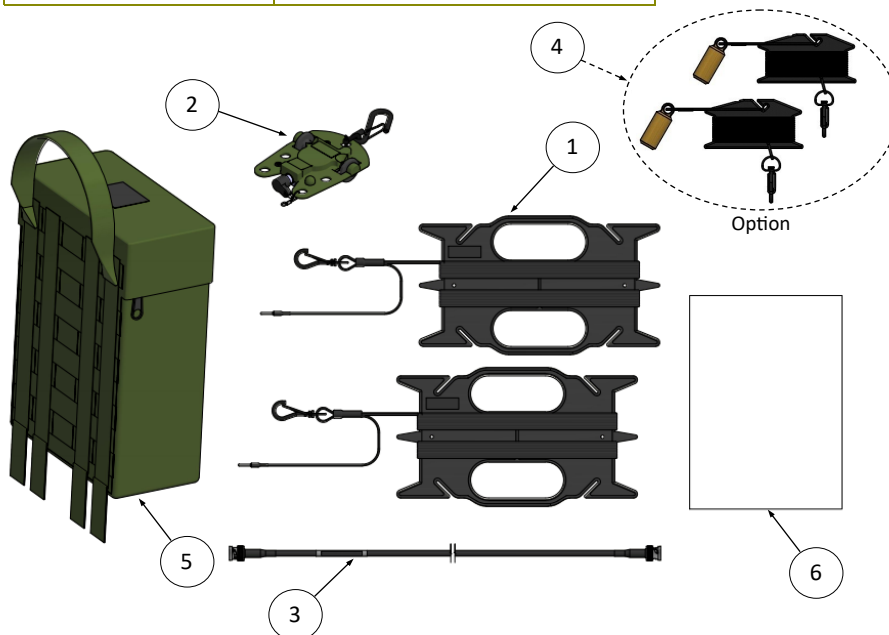
- 1.6 - 30 MHz (to be use with a tuner or combined radio/tuner below 5 MHz)
- Long wire antenna for NVIS communications
- Quick and easy to deploy using optional throwing cords
- Packs down into a compact light weight bag for transportation

Electrical specification

Frequency range	1.6-30 MHz
VSWR	Dependant on installation and clearance to the ground
Nominal impedance	50 ohm
Power rating	20 W CW
Connector	BNC

Mechanical specification

Design	Long wire antenna with centre balun
Length	2 x 30 m
Weight	1.4 kg
Temperature	-55 °C, +71 °C; -67 °F, +160 °F



Kit List

Description	Item	Qty
Line 30 m	1	2
Balun	2	1
Coaxial Cable 3m (2 x BNC connectors)	3	1
Throwing Cord (option)	4	2
Carrying Bag	5	1
Installation Manual	6	1