



Horizontal surface version with lever actuated single magnet



Vertical surface version with lever actuated double magnet

### Technical Description

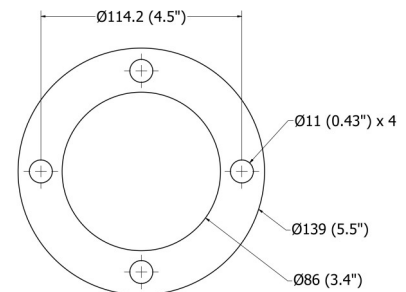
Magnetic base for mounting Comrod antennas with NATO 4-hole pattern bases onto a suitable magnetic surface. Two versions are available depending on the orientation of the magnetic surface.

- NATO 4-hole pattern bases
- Horizontal and vertical versions
- Lever activated magnet - no tools required to fit and remove base

### Mechanical Specification

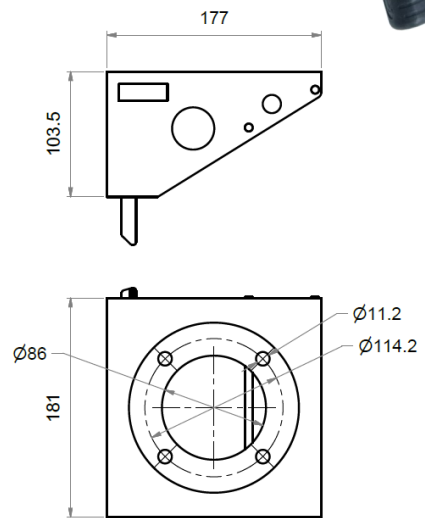
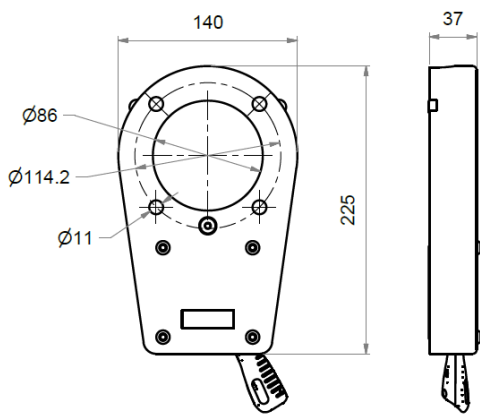
Design	Painted steel body with lever actuated magnet
Dimensions	Horizontal - 141 x 226 x 36 mm (5.5 x 8.9 x 1.4 in) Vertical - 180 x 180 x 102 mm (7.1 x 7.1 x 4 in)
Weight	Horizontal - 1.95 kg (4.3 lb) Vertical - 4.1 kg (9 lb)
Magnetic Surface	Magnetic surface should have a minimum thickness of 6mm
Pull Strength*	Horizontal - 300 kg (660 lb) Vertical - 600 kg (1320 lb)
Finish	Black (other colours available)

NATO 4-hole base pattern



**\* Warning** - The pull strength figures given above are for guidance only. The actual pull strength will be determined by a number of factors. Antenna size, wind loading, vehicle speed and thickness of the mounting plate. These factors must be considered when using these bases.

## Outline Dimensions



Horizontal version with Comrod VHF302000TB tri-band antenna



Vertical version with Comrod VHF302000TB tri-band antenna