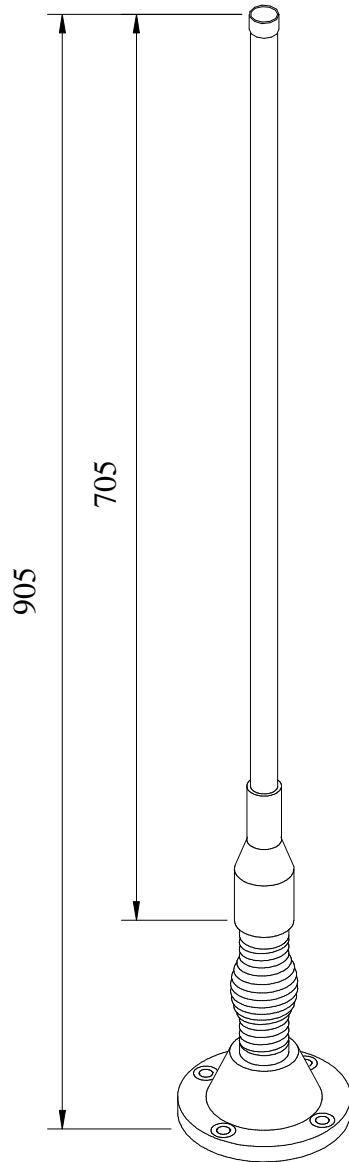


# COMROD UHF2450VM/D

## Dual dipole antenna for WLAN

### Application:

- Dual dipole whip for WLAN
- 2400 – 2480 MHz
- Rugged high quality dipole antenna
- High quality antenna with a durable construction
- The dipoles have individual connectors making the antenna suitable for diversity receivers
- No ground plane required
- NATO flange base with spring

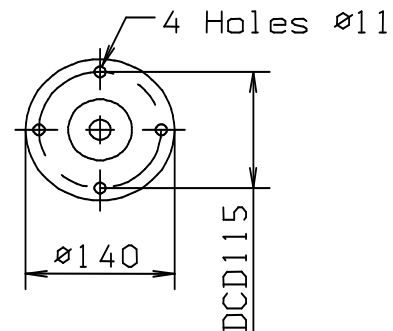


### Electrical specifications:

Frequency range	2400 – 2480MHz
VSWR	≤1.8
Nominal impedance	50W
Power rating	20W continuous for 0.5h
Gain	≥0dBi
Radiation pattern	Horizontal plane: Omnidirectional Vertical plane: Like any dipole
Polarization	Vertical
DC-grounded	Yes
Connector	Antenna : Comrod dual 1023 - female Base top : Comrod dual 1023 - male Base bottom: SMA - female

### Mechanical specifications:

Design	Two centre fed coaxial dipoles. Radiating elements completely enclosed in polyurethane foam within a fiberglass tube.
Length	90.5 cm
Weight	Whip: 0.6kg Base: 2.4kg
Wind ration	TBD
Finish	Polyurethane lacquer
Temperature range	-55°C to +71°C, -67°F to +160°F



Mounting details for NATO base