

Features:

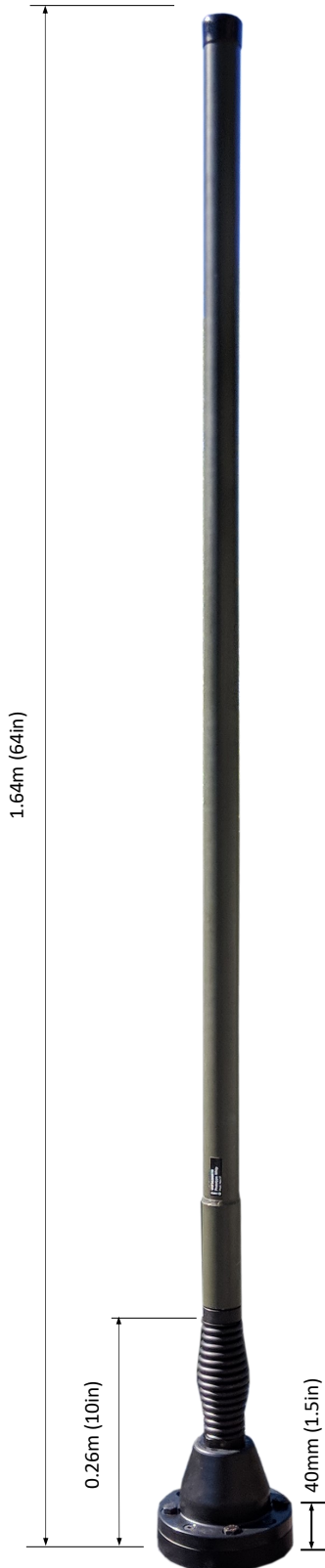
- Unique tri-band design (patented) with high isolation between ports
- 30-88MHz, 225-450MHz & 1200-2110MHz
- 3-ports VHF, UHF and L-band with high isolation between bands
- Designed for operation on all military platforms
- Suitable for operation on shelters, mounted on masts or in other permanent installations.
- Rugged high quality antenna with a durable construction
- NATO flange base with spring.
- UHF dipole and L-band antenna elements are located high up in the whip for maximum range
- VHF requires a ground plane
- Optional L1/L2 GPS installed in antenna base

Electrical specifications:

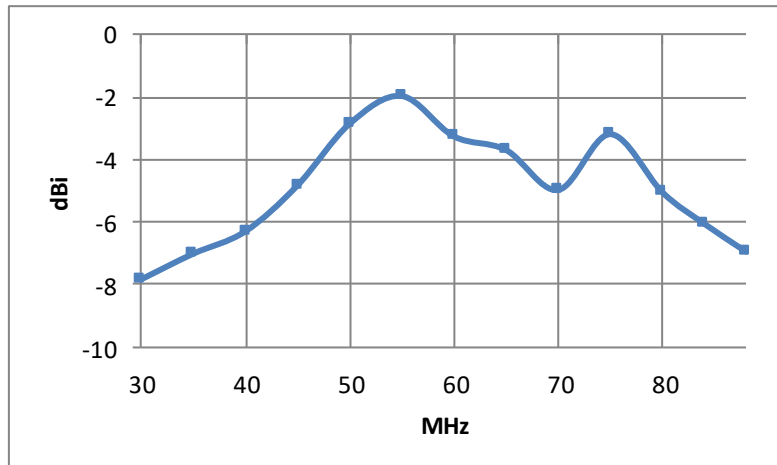
Frequency range	VHF: 30-88MHz UHF: 225-450MHz L-band: 1200-2110MHz GPS (option): L1 - 1575.42 ± 10 MHz L2 - 1227.60 ± 10 MHz
VSWR	VHF: < 3.5:1, UHF: < 3.0:1, L-band: < 3.0:1
Port-to-port isolation	UHF - L-band : >75dB for UHF, >55dB for L-band UHF - VHF : >60dB for VHF, >65dB for UHF VHF - L-band : >65dB for VHF, >55dB for L-band
Nominal impedance	50Ω
Power rating	VHF: 75W, UHF: 75W, L-Band: 50W
Gain	See graphs overleaf
Radiation pattern	Omnidirectional within ±2dB
Polarization	Vertical
Connector	VHF: BNC female, UHF: TNC female, L-band: N female GPS (option): SMA female

Mechanical specifications:

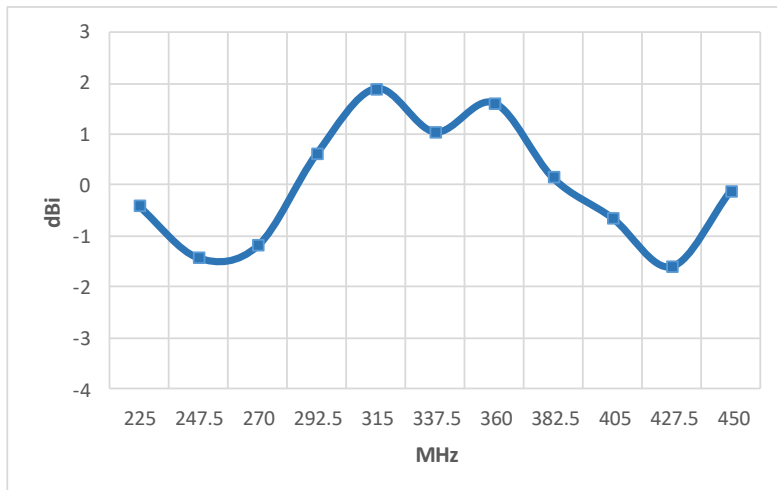
Design	VHF: End feed monopole. UHF: Dipole. L-band dipole elements. Radiating elements completely enclosed in epoxy/fiberglass laminate. Metal parts are brass, aluminum and stainless steel.
Length	1.64m (64 in)
Weight	Whip: 1.2kg (2.6 lbs) Base: 2.7kg (5.9 lbs)
Wind rating	55m/s (123 mph)
Finish	Polyurethane lacquer
Temperature range	-55°C to +71°C, -67°F to +160°F



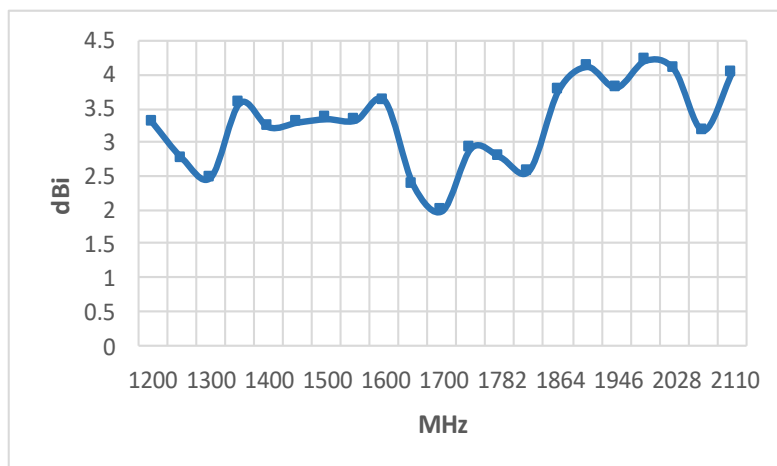
Gain Curves:



VHF gain, dB rel. 1/4 wave resonant whip in the center of 1.2 x 1.2m (4 x 4 ft) ground plane. Gain will improve significantly on a 3 x 3m (10ft x 10ft) ground-plane

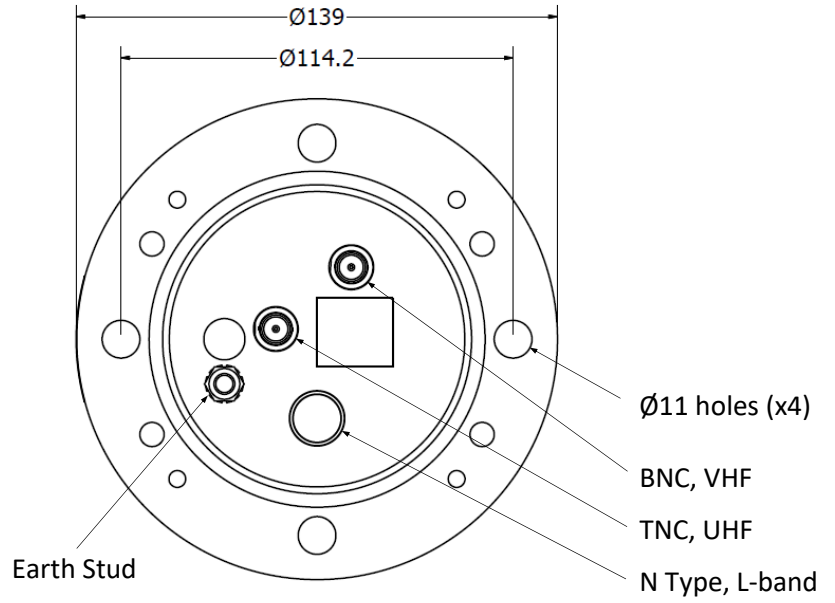
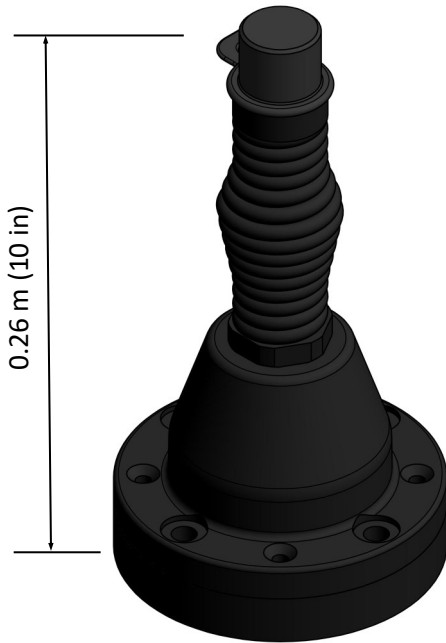


UHF gain, dBi

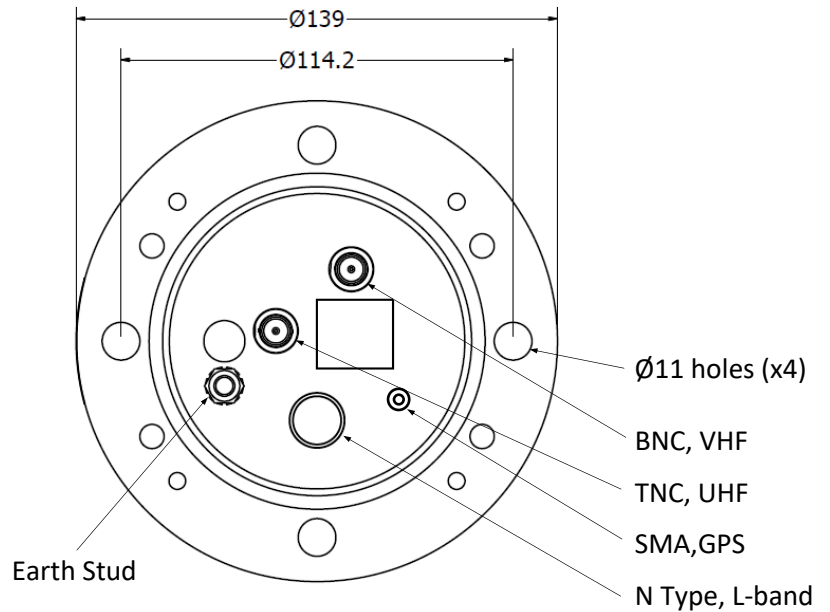
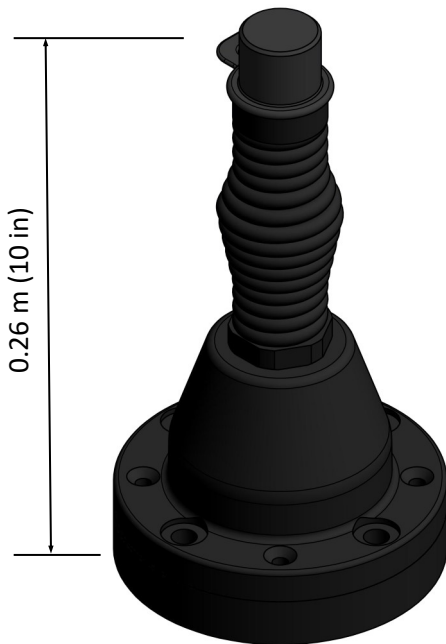


L-band gain, dBi

Nato 4-Hole Base



Nato 4-Hole GPS Base (Option)



GPS Electrical Specification

	L1 GPS	L2 GPS
Frequency Band	1575.42 ± 10 MHz	1227.60 ± 10 MHz
Power Supply	2.7-5.5 V @ <60mA, + centre	2.7-5.5 V @ <60mA, + centre
Amplifier Gain	25 dB, GPS	25 dB, GPS
Pre-amplifier	26.5 dB @ 5 V	26.5 dB @ 5 V
Noise Figure	2.5 dB	2.5 dB
Polarization	RHCP	RHCP